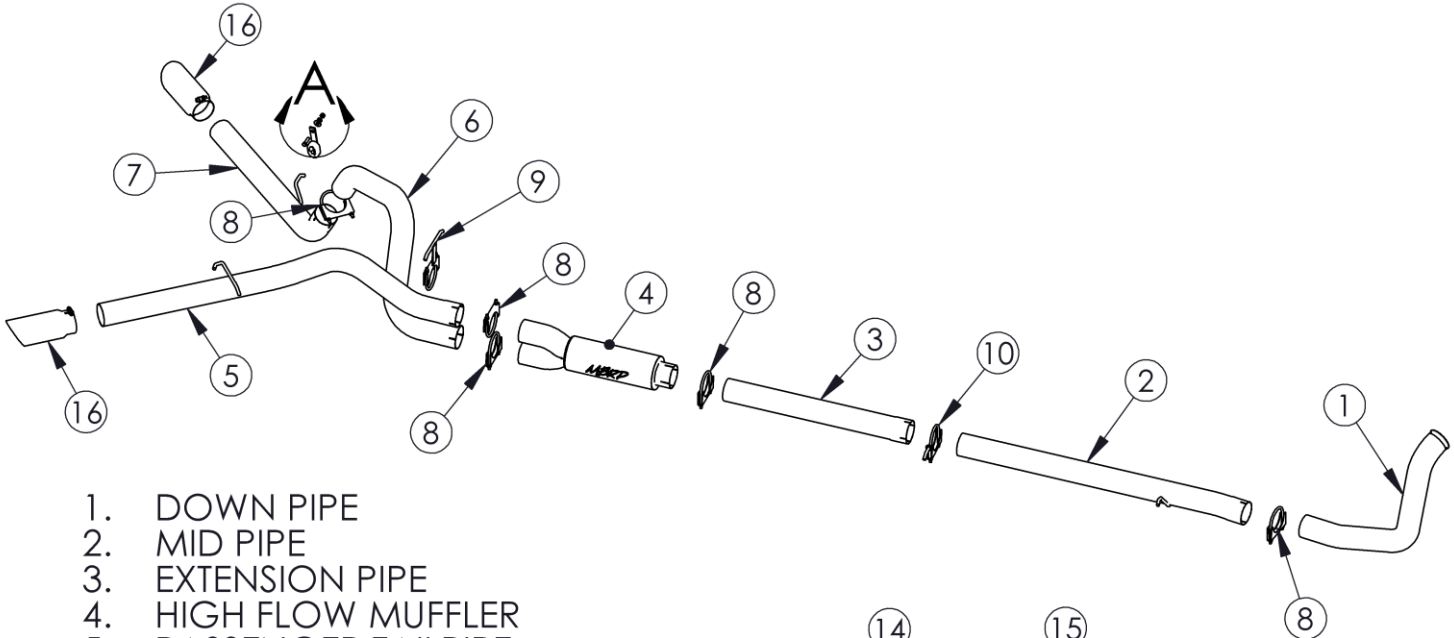


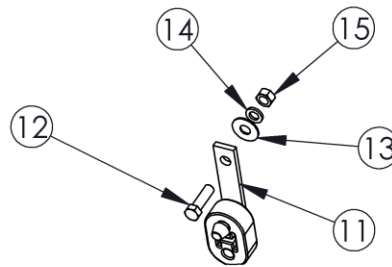
S6202

99-03 FORD F250/F350 7.3L POWER STROKE,
TURBO BACK, 4" COOL DUALS®
NOT FOR USE ON VEHICLES EQUIPPED WITH
CATALYTIC CONVERTER

MBRP



1. DOWN PIPE
2. MID PIPE
3. EXTENSION PIPE
4. HIGH FLOW MUFFLER
5. PASSENGER TAILPIPE
6. OVER AXLE TAILPIPE
7. DRIVER TAILPIPE
8. 4" CLAMP (5 PCS)
9. 4" T-HANGER CLAMP
10. 4" HANGER CLAMP
11. HANGER ASSEMBLY
12. 7/16" BOLT
13. WASHER
14. LOCK WASHER
15. 7/16" NUT
16. EXHAUST TIPS (2 PCS)



DETAIL A
SCALE 1 : 8

PLEASE READ BEFORE STARTING INSTALLATION

While MBRP Inc. has made every effort to ensure that all components of this system are of superior quality and properly packaged, it is the installer's responsibility to ensure the following before removal of the factory exhaust:

- that ALL components shown above are present.
- that ALL mating components fit together.
- that there are no damaged components.
- that the system you have purchased is appropriate for your vehicle year, model and configuration.
- that the system will not interfere with any modifications previously installed or planned.
- that you have read and understand these instructions.

If you have any questions or are uncertain about any aspect of the installation of this system to your vehicle please contact your dealer before commencing installation.

MBRP

Removal of Stock System:

1. If a hoist is being used for the installation, the original exhaust system can be removed in one piece by removing the passenger side shock. If a hoist is not being used the tail pipe must be cut behind the muffler to be removed.
2. Loosen the nut on the band clamp in front of muffler using a 15mm socket.
3. Remove the muffler and tail pipe from the OEM rubber hangers and separate the stock exhaust at the slip joint remove the muffler and tail pipe from under the truck. **Re-install the passenger side shock.**
4. Remove the down pipe from the turbo by removing the band clamp using an 11mm socket. **Retain the band clamp for the installation of the new down pipe.** Cut the down pipe in front of the transmission cross member to remove. (**Note:** The stock down pipe can be removed in one piece by removing the transmission cross member. It is recommended that this only be done by qualified, trained professionals using tools and equipment designed to safely carry out this procedure.)

Installation of MBRP Inc. Performance Exhaust:

Note: Vehicles originally equipped with a catalytic converter must retain the factory catalytic converter. Removal of the catalytic converter may be a violation of federal or local regulations.

1. Install the **Down Pipe** in the same position as the stock down pipe and attach the flared end to the turbo using the stock band clamp. Do not fully tighten until all components are in place.
2. Slide a **Clamp** over the **Mid Pipe** and attach to **Down Pipe** and place the hanger into the factory rubber insulator located on the frame.
3. Slide the **Hanger Clamp** over the **Extension Pipe** and attach to the **Mid Pipe**. The **Extension Pipe** is pre-cut to fit vehicles with a 172" wheelbase and will have to be cut to fit all other vehicles. 137" wheelbase vehicles do not require the **Extension Pipe** to be installed. The **Hanger Clamp** is used at the connection between the **Mid Pipe** and the **Extension Pipe** and is installed into the OEM rubber hanger at this position. **Install tip:** Temporarily install the Muffler and **Tail Pipe** using the factory rubber insulators and the **T-Hanger Clamp**. Measure from the **Muffler** to the **Mid Pipe** and cut the **Extension Pipe** to the required length.
4. Slide a **Clamp** over the single inlet of the **Muffler** and attach to **Extension Pipe** or to the **Mid Pipe** with the 137" wheelbase vehicles. The **Muffler** outlets will be positioned vertically when installed. Slide a **Clamp** onto each **Muffler** outlet.
5. Install the **Driver Over Axle Pipe** to the lower outlet of the **Muffler** and position the **Clamp** accordingly over the pipe expansion. Do not tighten. Install the **T-Hanger Clamp** into the OEM rubber hangers located above the **Muffler** outlets.
6. Install the Passenger Side Tail Pipe from the rear of the truck, over the axle passing through the T-Hanger Clamp and attach to the upper outlet of the Muffler. Install the tail pipe hanger into the OEM hanger to complete the passenger side.

Congratulations! You are ready to begin experiencing the improved power, sound and driving excitement of your MBRP Inc. performance exhaust system. We know you will enjoy your purchase.