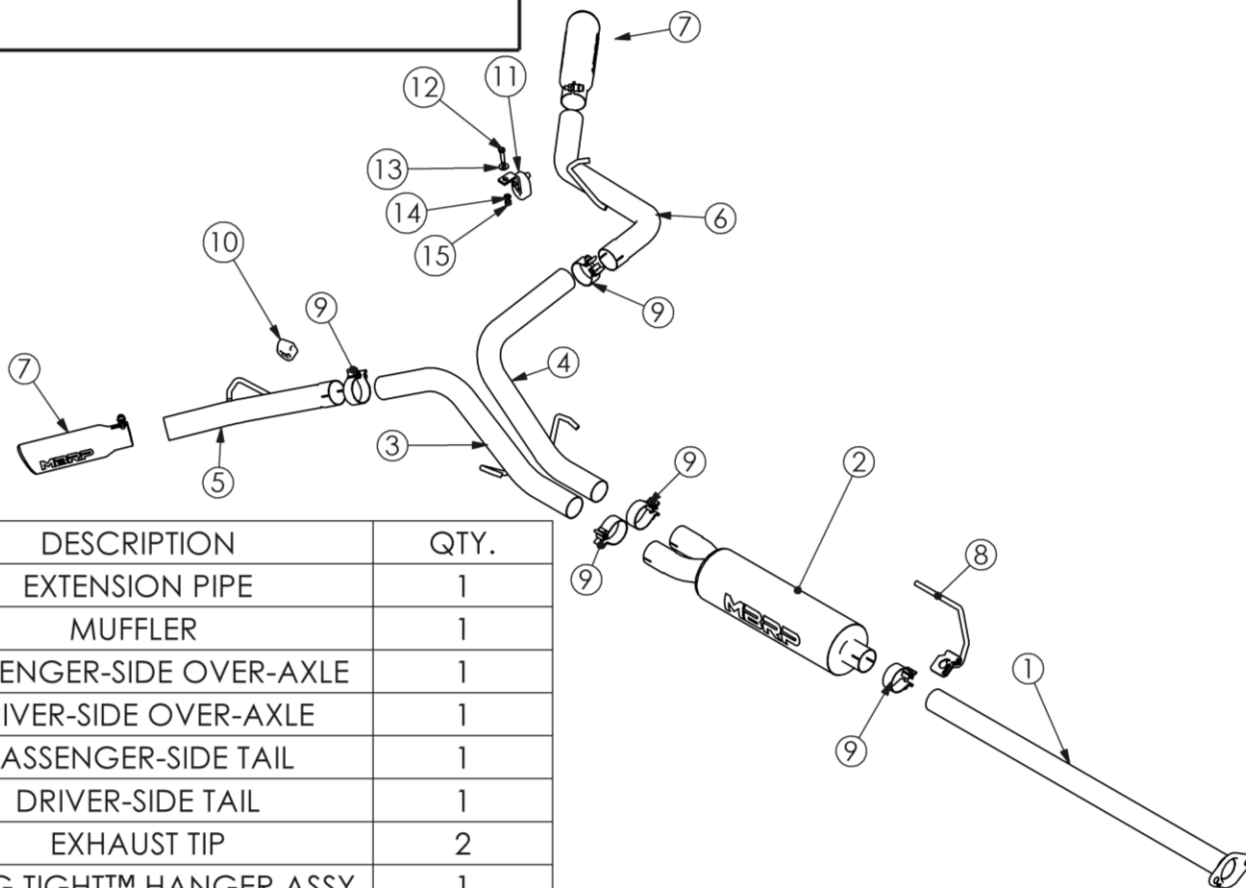


# S5328

05-15 TOYOTA TACOMA, 4.0L,  
EXTENDED/CREW CAB, CAT BACK, 2.5" SIDE  
EXIT DUALS

# MBRP



ITEM	DESCRIPTION	QTY.
1	EXTENSION PIPE	1
2	MUFFLER	1
3	PASSENGER-SIDE OVER-AXLE	1
4	DRIVER-SIDE OVER-AXLE	1
5	PASSENGER-SIDE TAIL	1
6	DRIVER-SIDE TAIL	1
7	EXHAUST TIP	2
8	HANG TIGHT™ HANGER ASSY	1
9	2.5" CLAMP	5
10	90° RUBBER INSULATOR	1
11	HANGER ASSEMBLY	1
12	3/8" X 1" HEX BOLT	1
13	3/8" FLAT WASHER	1
14	3/8" LOCK WASHER	1
15	3/8" HEX NUT	1

## PLEASE READ BEFORE STARTING INSTALLATION

While MBRP has made every effort to ensure that all components of this system are of superior quality and properly packaged, it is the installer's responsibility to ensure the following before removal of the factory exhaust:

- that ALL components shown above are present.
- that ALL mating components fit together.
- that there are no damaged components.
- that the system you have purchased is appropriate for your vehicle year, model and configuration.
- that the system will not interfere with any modifications previously installed or planned.
- that you have read and understand these instructions.

If you have any questions or are uncertain about any aspect of the installation of this system to your vehicle please contact your dealer before commencing installation.

# MBRP

## Removal of Stock System:



Figure 1



Figure 2

1. Apply a penetrating lubricant liberally to all exhaust fasteners, hangers and rubber insulators.

2. Remove the bolts and springs holding the front flange together and disconnect exhaust system. Do not discard this hardware as it is used for the installation. **Refer to Figure 1.**

3. Remove the hangers from the rubber insulators and remove the exhaust from the vehicle. If a hoist or hydraulic lift is not being used the tail pipe may need to be cut to clear the rear axle. **Refer to Figure 2.**

## Installation of MBRP Performance Exhaust:



Figure 3

1. Using the bolts previously removed from the flange slide the springs over the bolts and loosely attach the **Extension Pipe** to the flange using the fasteners.

**Refer to Figure 3.**

Note: The **Extension Pipe** will need to be trimmed on some models. Refer to the illustration below.

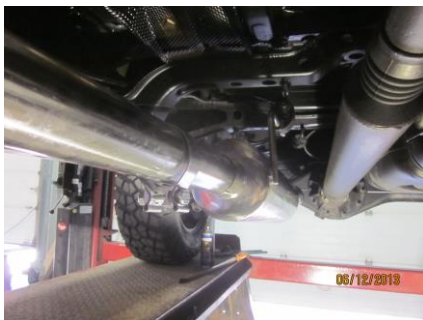
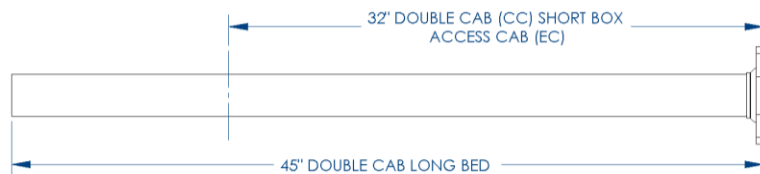
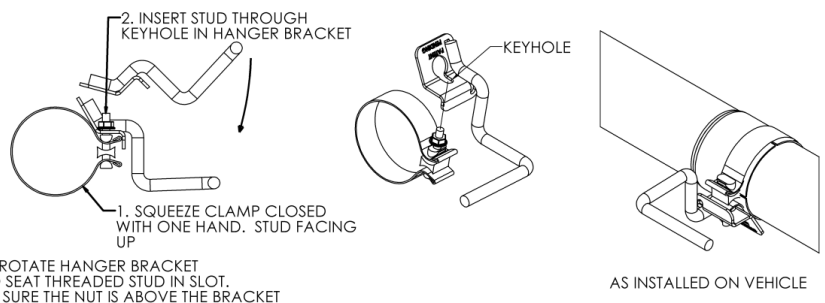


Figure 4

2. Install the **Hang Tight™ Hanger** onto a **2.5" Band Clamp** using the procedure shown below. (Hang Tight™ Hanger not exactly as shown)



# MBRP



Figure 5

3. Place the previously assembled **2.5" Band Clamp** and **Hang Tight™ Hanger** onto the **Muffler**. Install the **Muffler** onto the **Extension Pipe** and place the **Hang Tight™ Hanger** into the factory isolator. When tightening, pull down on the isolator end of the **Hang Tight™ Hanger** to ensure the isolator is taking some weight.

**Refer to Figure 4.**

4. Loosely install the **Passenger-Side Over-Axle Pipe** connecting it to the **Muffler** passenger side outlet with a **2.5" Clamp**. Install the hanger into the rubber insulator located above the **Over Axle Pipe**.

**Refer to Figure 5**



Figure 6

5. Loosely install the **Driver-Side Over-Axle Pipe** connecting it to the **Muffler** driver side outlet with a **2.5" Clamp**. Install the hanger into the rubber insulator located above the **Over-Axle Pipe**.

**Refer to Figure 6.**

6. Connect the expanded end of the **Passenger-Side Tail Pipe** to the **Over Axle Pipe** with the remaining the **2.5" Clamp**. Install the hanger into the factory rubber insulator.

**NOTE: 2013 models require the removal of the factory rubber insulator and the installation of the 90° Rubber Insulator to the outside frame mount.**

**Refer to Figure 7.**

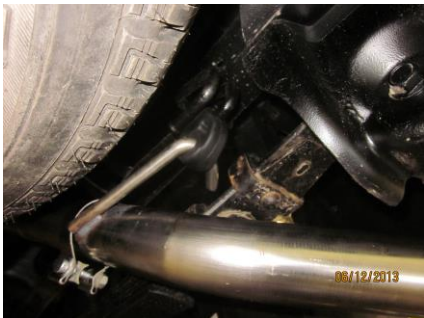


Figure 7

7. Connect the expanded end of the **Driver-Side Tail Pipe** to the **Driver-Side Over-Axle Pipe**, keeping brake flex lines in front of the pipe.

**Refer to Figure 8.**

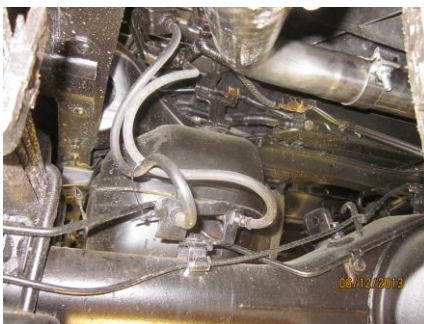


Figure 8

8. Move the **Driver-Side Tail Pipe** into approximate position. Using the factory hole provided in the frame located directly above the tail pipe hanger, attach the hanger provided using the supplied hardware.

**Refer to Figure 9.**

**Note: Lowering and slightly relocating the spare tire may be required for installation access as well as hanger clearance.**

9. Install and adjust the **Exhaust Tips** to suit. Tighten the lock bolt located on each **Exhaust Tip**.

**Refer to Figure 10.**

# MBRP



**Figure 9**



**Figure 10**

10. Tighten all hardware and clamps, starting at the front and working rearward to secure the system. Check along the full length of the exhaust system to ensure there is adequate clearance for fuel lines, vent lines, brake lines, frame, bodywork, suspension and any wiring, etc. If there is any interference detected, relocate or adjust to provide adequate clearance. Ensure all clamp connections are secure and components are unable to rotate or slide. Band clamps require approximately 45 lb-ft (60 N-m) of torque. Verify clearances, system security and band clamp torque after 30-60 miles (50-100 km) of driving.



**Congratulations!** You are ready to begin experiencing the improved power, sound and driving excitement of your **MBRP** performance exhaust system. We know you will enjoy your purchase.