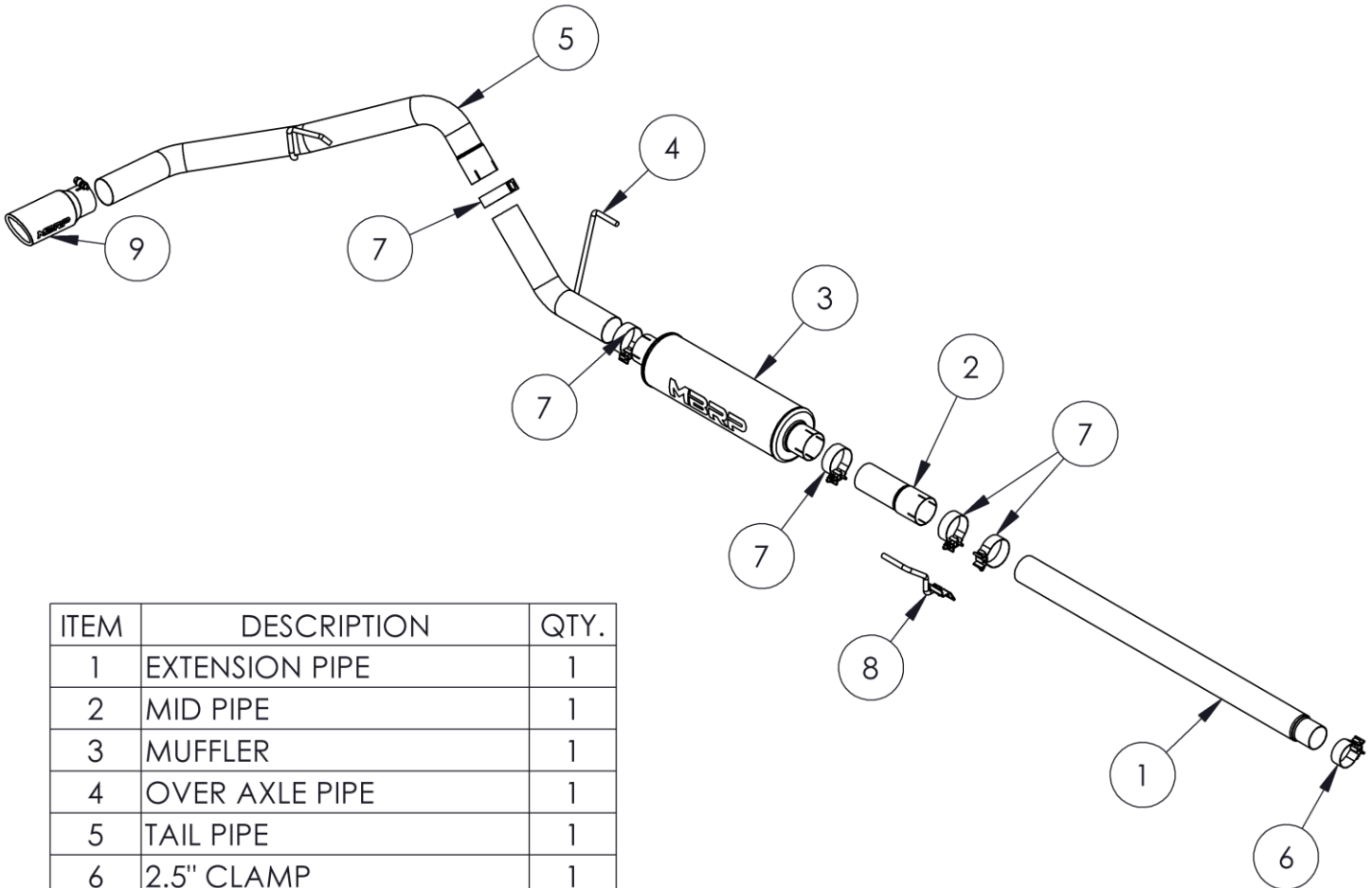


S5200

2004-2008 FORD F150,
EXTENDED CAB (EXCLUDING 8' BED) /
CREW CAB (ALL BED LENGTHS)
CAT BACK, 3" SINGLE SIDE

MBRP®



ITEM	DESCRIPTION	QTY.
1	EXTENSION PIPE	1
2	MID PIPE	1
3	MUFFLER	1
4	OVER AXLE PIPE	1
5	TAIL PIPE	1
6	2.5" CLAMP	1
7	3.0" CLAMP	5
8	HANG TIGHT™ HANGER	1
9	EXHAUST TIP	1

PLEASE READ BEFORE STARTING INSTALLATION

While MBRP has made every effort to ensure that all components of this system are of superior quality and properly packaged, it is the installer's responsibility to ensure the following before removal of the factory exhaust:

- that ALL components shown above are present.
- that ALL mating components fit together.
- that there are no damaged components.
- that the system you have purchased is appropriate for your vehicle year, model and configuration.
- that the system will not interfere with any modifications previously installed or planned.
- that you have read and understand these instructions.

If you have any questions or are uncertain about any aspect of the installation of this system to your vehicle please contact your dealer before commencing installation.

MBRP

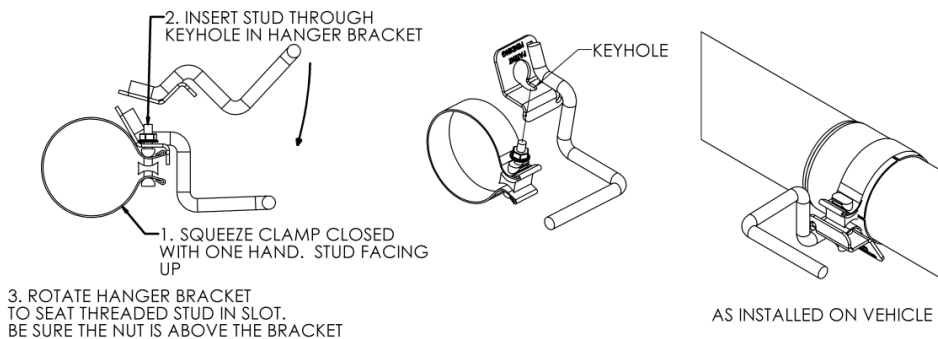
Removal of stock system:

1. Apply a penetrating lubricant liberally to all exhaust fasteners, hangers, and rubber insulators.
2. Loosen the clamp located behind the "Y" pipe at the slip joint.
3. Remove the hangers from the rubber insulators and remove the exhaust from the vehicle. If a hoist or hydraulic lift is not being used the tail pipe may need to be cut to clear the rear axle.

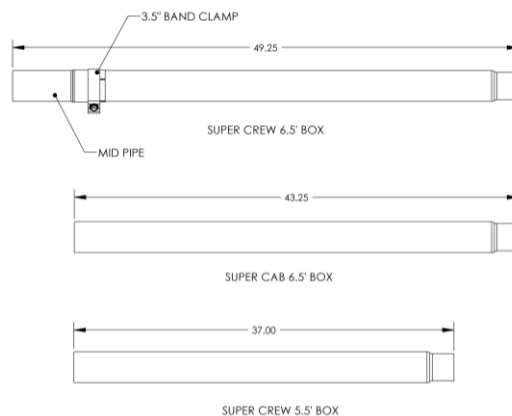
Installation of MBRP Performance Exhaust:

NOTE: This system DOES NOT require the removal of the spare tire.

1. Install the **Hang Tight™ Hanger** onto a **3.0" Band Clamp** using the procedure shown below. (Hang Tight™ Hanger not exactly as shown).



2. Using the **2.5" Clamp**, install the reduced end of the **Extension Pipe** over the factory exhaust system behind the "Y" pipe. Install the **Hang Tight™ Hanger** Clamp assembly over the Extension pipe and into the factory rubber insulator. Install the **Mid Pipe** if required using a **3.0" Clamp**, see the chart below for pipe modifications. Cut the **Extension Pipe** if required.



3. Using the **3" Clamps**, install the **Muffler** onto the **Extension Pipe** (or **Mid Pipe** if required), and install the **Over Axle Pipe** into the opposite end of the **Muffler**. Install the **Over Axle Pipe** hanger into the factory rubber insulator located above the rear of the **Muffler**.

MBRP

4. Feed the **Tail Pipe** over the axle and loosely attach it to the **Over Axle Pipe**. Install the **Tail Pipe** hanger into the factory rubber insulator located directly above the hanger.
5. Install the polished **Exhaust Tip**. It is recommended to install it at this point to assist with the final system alignment.
6. Align the exhaust as required. Tighten all hardware and clamps, starting at the front and working rearward to secure the system. Check along the full length of the exhaust system to ensure there is adequate clearance for fuel lines, vent lines, brake lines, frame, bodywork, suspension, and any wiring, etc. If there is any interference detected, relocate, or adjust to provide adequate clearance. Ensure all clamp connections are secure and components are unable to rotate or slide. Band clamps require approximately 45 lb-ft (60 N-m) of torque. Verify clearances, system security and band clamp torque after 30-60 miles (50-100 km) of driving.



Congratulations! You are ready to begin enjoying the improved performance and driving experience of your **MBRP** Performance Exhaust system. We hope you enjoy your purchase.