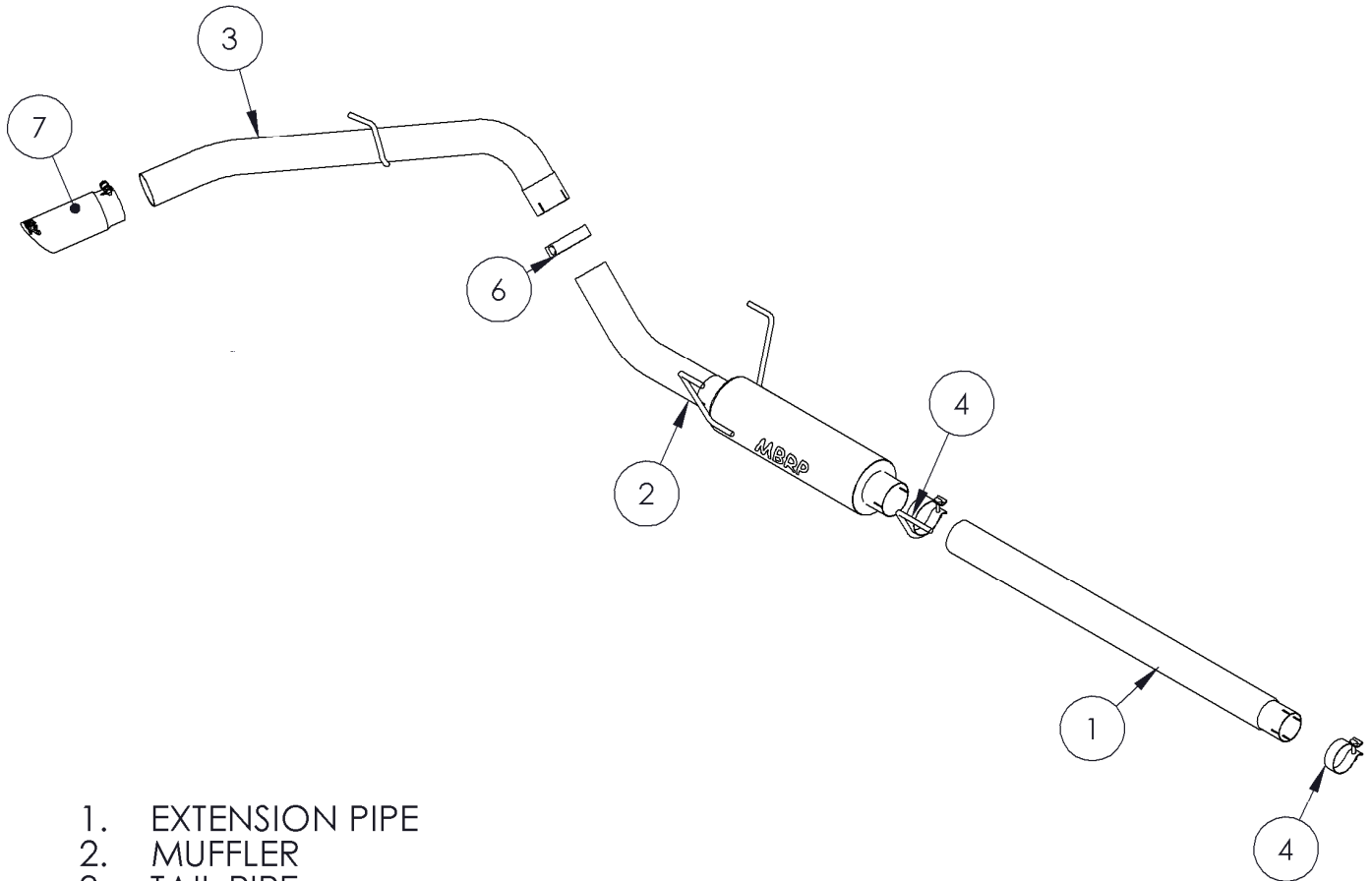


**S5132**

2006-2007 DODGE 1500, MEGA CAB  
5.7L HEMI, CAT BACK SINGLE

**MBRP**  
INC.

**PERFORMANCE EXHAUST**



1. EXTENSION PIPE
2. MUFFLER
3. TAIL PIPE
4. 3" BAND CLAMP (SADDLE CLAMP IN ALUMINIZED SYSTEM)
5. 3" HANGER CLAMP (SADDLE CLAMP IN ALUMINIZED SYSTEM)
6. 3 1/2" BAND CLAMP (SADDLE CLAMP IN ALUMINIZED SYSTEM)
7. EXHAUST TIP

### **PLEASE READ BEFORE STARTING INSTALATION**

**While MBRP Inc. has made every effort to ensure that all components of this system are of superior quality and properly packaged, it is the installer's responsibility to ensure the following before removal of the factory exhaust:**

- that ALL components shown above are present.
- that ALL mating components fit together.
- that there are no damaged components.
- that the system you have purchased is appropriate for your vehicle year, model and configuration.
- that the system will not interfere with any modifications previously installed or planned.
- that you have read and understand these instructions.

If you have any questions or are uncertain about any aspect of the installation of this system to your vehicle please contact your dealer before commencing installation.

**2006-2007 Dodge Ram 1500 Megacab**  
**5.7L HEMI**

**Removal of stock system:**



**Figure 1**



**Figure 2**



**Figure 3**



**Figure 4**

1. Apply a penetrating lubricant liberally to all exhaust fasteners, hangers and rubber insulators.

2. Remove clamp just after the Y pipe. **Refer to Figure 1.**

3. Remove clamp from the rear of the muffler. **Refer to Figure 2.**

4. Remove the stock exhaust from the existing hangers and remove the system from the vehicle.

**Installation of MBRP Inc. Performance Exhaust:**

1. Install the **Extension Pipe** over the existing Y using the **3" Band Clamp**. Leave all clamps loose enough for adjustment. **Refer to Figure 3.**

2. Slide the **3" Hanger Clamp** over the **Extension Pipe** and install **Muffler** onto the **Extension Pipe**. Install the **3" Hanger Clamp** into the existing rubber insulator. **Refer to Figure 4.**



**Figure 5**

3. Install **Muffler** hangers into existing rubber insulators. **Refer to Figure 5.**

4. Slide the **3 1/2" Band Clamp** over the **Tail Pipe** and install onto the **Muffler**. Attach the tail pipe hanger to the existing rubber insulators. **Refer to Figure 6.**



**Figure 6**

6. Install and adjust the **Exhaust Tip** to suit. Using a 17mm wrench tighten the lock bolt located on the **Exhaust Tip**. **Refer to Figure 7.**

7. Align the exhaust as required. Starting at the front of the exhaust, tighten all clamps and connections.



**Figure 7**

8. Check along the whole length of the exhaust system to ensure that there is adequate clearance around the spare tire, fuel and brake lines or any wiring. If any interference is detected relocate or adjust.



**Congratulations!** You are ready to begin experiencing the improved power, sound and driving experience of your MBRP Inc. performance exhaust system. We hope you enjoy your purchase.