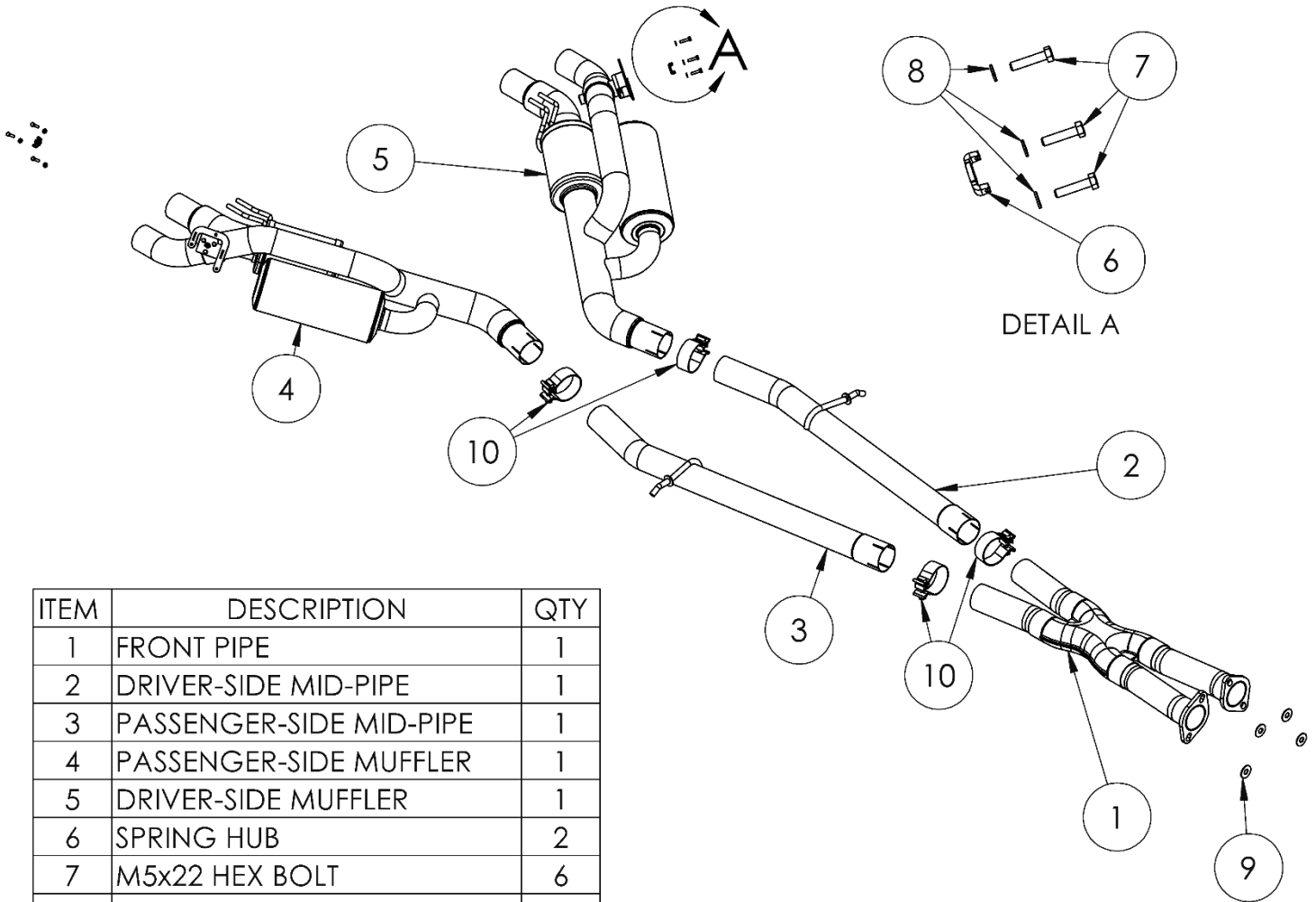


# S4708

2022-UP KIA STINGER, RWD/AWD, 3.3L,  
CAT-BACK, 2.5" DUAL REAR,  
USES FACTORY BEZEL

# MBRP®



ITEM	DESCRIPTION	QTY
1	FRONT PIPE	1
2	DRIVER-SIDE MID-PIPE	1
3	PASSENGER-SIDE MID-PIPE	1
4	PASSENGER-SIDE MUFFLER	1
5	DRIVER-SIDE MUFFLER	1
6	SPRING HUB	2
7	M5x22 HEX BOLT	6
8	M5 FLAT WASHER	6
9	7/16" FLAT WASHER	4
10	2.5" CLAMP	4

## PLEASE READ BEFORE STARTING INSTALLATION

**While MBRP has made every effort to ensure that all components of this system are of superior quality and properly packaged, it is the installer's responsibility to ensure the following before removal of the factory exhaust:**

- that ALL components shown above are present.
- that ALL mating components fit together.
- that there are no damaged components.
- that the system you have purchased is appropriate for your vehicle year, model and configuration.
- that the system will not interfere with any modifications previously installed or planned.
- that you have read and understand these instructions.

If you have any questions or are uncertain about any aspect of the installation of this system to your vehicle please contact your dealer before commencing installation.

# MBRP



Figure 1



Figure 2



Figure 3



Figure 4

## Removal of Stock System

1. Apply penetrating lubricant liberally to all exhaust fasteners, hangers, and rubber insulators.
2. Disconnect the exhaust valve electrical connections on each side. There is a small tab to press down to unlock the connector.  
**Refer to Figure 1.**
3. Remove the nuts from the rear muffler flanges and cross-brace. Remove the rear mufflers from the insulators and from the vehicle.
4. Remove the front pipe nuts after the catalytic converters and save the nuts for the installation. Remove the chassis cross-brace.  
**Refer to Figure 2.**
5. Remove the hangers from the rubber insulators and remove the front pipe from the vehicle. Ensure the factory gaskets remain on the catalytic converters for installation.
6. Remove both valve actuators from the factory system. The factory flange nuts and drive springs will be reused for the installation.

## Installation of **MBRP** Performance Exhaust

1. Using the factory nuts removed in Step 3, and four 7/16" Flat Washers, loosely attach the **Front Pipe** onto the catalytic converters. Reinstall the chassis cross-brace.  
**Refer to Figure 3.**
2. Using a 2.5" Clamp, loosely install the **Passenger-Side Mid-Pipe** onto the **Front Pipe** and into the factory rubber insulator. Repeat for the **Driver-Side Mid-Pipe**.  
**Refer to Figure 4.**
4. Install the **Spring Hub** and valve actuators onto the **Muffler Assemblies** using the factory flange nuts, **M5x22 Hex Bolts**, and **Flat Washers**. Ensure the valves are open and the drive spring is in the **Spring Hub** correctly.  
**Refer to Figure 5.**

# MBRP



Figure 5



Figure 6



Figure 7

5. Using a **2.5" Clamp**, loosely install the **Driver-Side Muffler**. Direct the exhaust outlets into the factory bezel, then install the inlet over the **Mid-Pipe**, then the hangers into the factory rubber insulator. Repeat for the **Passenger-Side Muffler**.

Refer to Figures 6 and 7.

6. Reconnect the exhaust valve electrical connections on each side.

7. Carefully align the system, centering the **Muffler Assembly Outlets** with the factory bezel openings. Align the edge of each band clamp with the edge of the joint it is connecting. Tighten all hardware and clamps, starting at the front and working rearward to secure the system. Check along the full length of the exhaust system to ensure there is adequate clearance for fuel lines, vent lines, brake lines, frame, bodywork, suspension and any wiring, etc. If there is any interference detected, relocate or adjust to provide adequate clearance. Ensure all clamp connections are secure and components are unable to rotate or slide. Band clamps require approximately 45 lb-ft (60 N-m) of torque. Verify clearances, system security and band clamp torque after 30-60 miles (50-100 km) of driving.



**Congratulations!** You are ready to begin experiencing the improved power, sound and driving experience of your **MBRP** Performance Exhaust. We know you will enjoy your purchase!