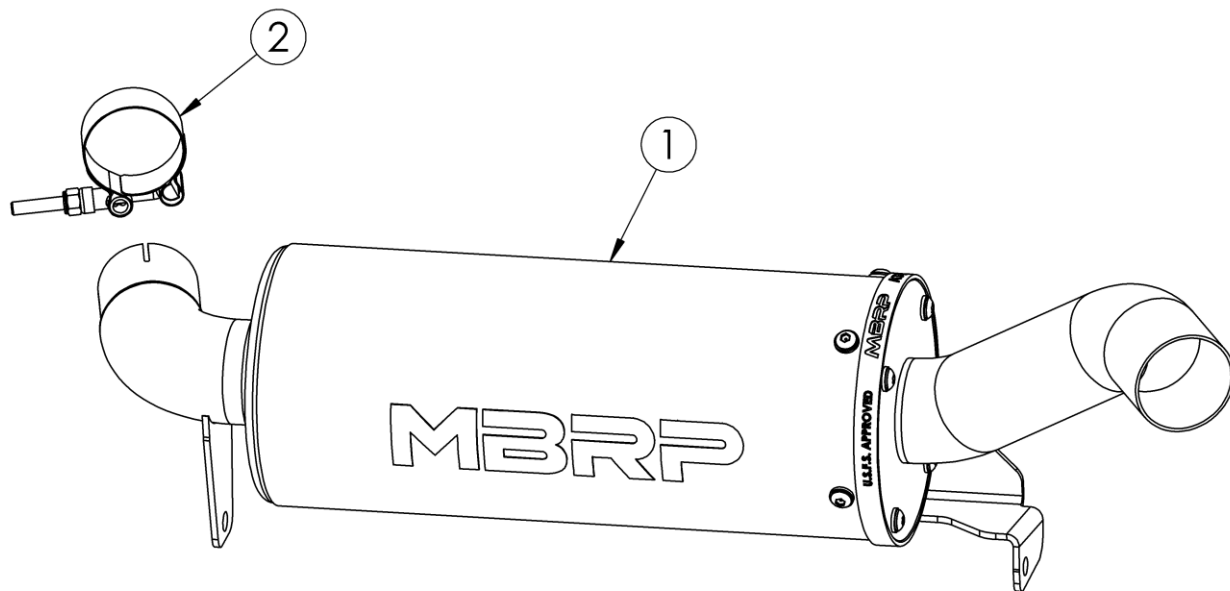


AT-9213PT

SLIP-ON MUFFLER ASSEMBLY, 5"
2018-2021 CAN-AM MAVERICK TRAIL 800
2018-UP CAN-AM MAVERICK TRAIL 1000
2019-UP CAN-AM MAVERICK SPORT 1000
(NON-R ENGINES)

MBRP®



ITEM NO.	DESCRIPTION	QTY.
1	MUFFLER ASSEMBLY	1
2	CLAMP	1

PLEASE READ BEFORE STARTING INSTALLATION

While MBRP Ltd. has made every effort to ensure that all components of this system are of superior quality and properly packaged, it is the installer's responsibility to ensure the following before removal of the factory exhaust:

- that ALL components shown above are present.
- that ALL mating components fit together.
- that there are no damaged components.
- that the system you have purchased is appropriate for your vehicle year, model and configuration.
- that the system will not interfere with any modifications previously installed or planned.
- that you have read and understand these instructions.

If you have any questions or are uncertain about any aspect of the installation of this system to your vehicle please contact your dealer before commencing installation.

MBRP

Removal of Stock Exhaust:

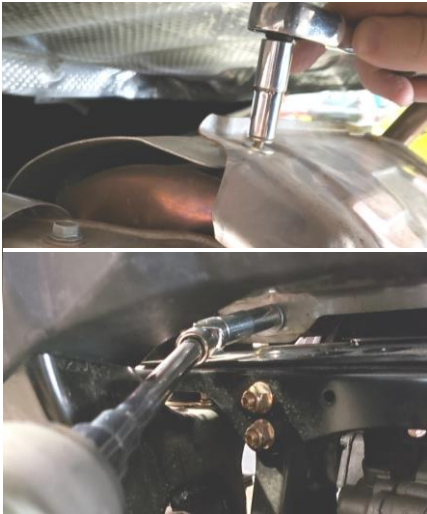


Figure 1

1. Loosen and remove the three (3) bolts and nuts securing the muffler tail pipe to the muffler body (remove the tail).
2. Loosen the clamp at the front pipe of the stock muffler.
3. Remove the six (6) screws and washers securing the rear heat shield to the muffler. Remove the heat shield. **Refer to Figure 1.**
4. Using a socket and extension to reach under the muffler, loosen and remove the bolts (2), nuts (2), and washers (2) securing the muffler brackets to the vehicle mounts. Keep the hardware as it will be reused to mount the new system. **Refer to Figure 2.**
5. Rotate the outlet end of the muffler up to free it from the vehicle mount, then work the muffler straight back to free it from the front pipe and remove it.

Installation of MBRP Exhaust:



Figure 2

1. Place the **Clamp** onto the inlet of the **Muffler Assembly**, then put the **Muffler Assembly** into position and slide the inlet onto the front pipe. Slide the **Muffler Assembly** far enough onto the front pipe that the bracket on the outlet side can be brought to the *inside* of the vehicle mount, and then slide the **Muffler Assembly** back until the mounting holes line up. **Refer to Figure 3.**

2. Replace the stock hardware at each mounting location. **Refer to Figure 3.**

3. Ensure that the **Muffler Assembly** is properly aligned, and then tighten the **Clamp** on the muffler inlet and fully tighten the stock hardware at both of the mounting locations.

It is recommended that the muffler end cap screws be retightened after the first ride and checked periodically thereafter, tightening if necessary.

In order to maintain optimal performance, the spark arrestor screen should be cleaned after every 30-35 hours of use. The spark arrestor can be accessed by removing the four (4) screws and outlet tip. Retighten the screws to 60in-lbs (6.8Nm) when reassembling. **Refer to Figure 4.**



Figure 3

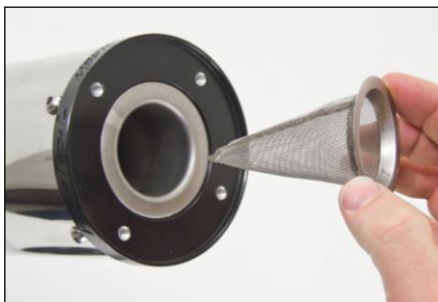


Figure 4



Congratulations! You are ready to begin experiencing the improved performance and driving excitement of your MBRP Ltd. Exhaust upgrade. We know you will enjoy your purchase.