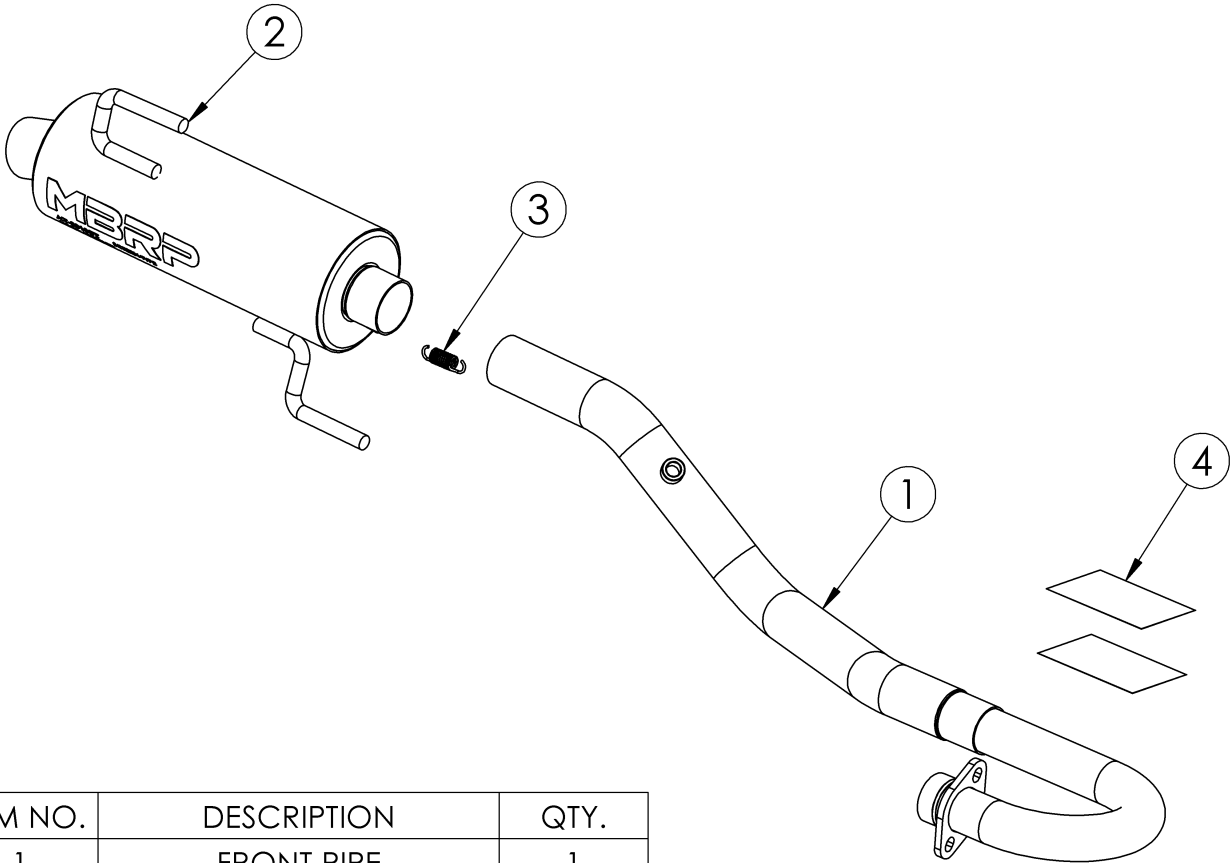


AT-8111P

2015-UP HONDA FOREMAN RUBICON 500/520,
2015-UP HONDA FOREMAN 420 IRS

MBRP®



ITEM NO.	DESCRIPTION	QTY.
1	FRONT PIPE	1
2	MUFFLER ASSEMBLY	1
3	EXTENSION SPRING	1
4	FOIL TAPE	2

Refer to this LOT NUMBER when contacting customer service: _____

PLEASE READ BEFORE STARTING INSTALLATION

While MBRP has made every effort to ensure that all components of this system are of superior quality and properly packaged, it is the installer's responsibility to ensure the following before removal of the factory exhaust:

- that ALL components shown above are present.
- that ALL mating components fit together.
- that there are no damaged components.
- that the system you have purchased is appropriate for your vehicle year, model and configuration.
- that the system will not interfere with any modifications previously installed or planned.
- that you have read and understand these instructions.

If you have any questions or are uncertain about any aspect of the installation of this system to your vehicle please contact your dealer before commencing installation.

MBRP

Removal of Stock Exhaust:

CAUTION: ALLOW THE EXHAUST TO FULLY COOL BEFORE PERFORMING THIS INSTALLATION.

1. Remove the seat and side panels to access the front of the exhaust. **Refer to Figure 1.**
2. Loosen and remove the two (2) nuts and washers securing the flange at the inlet of the exhaust. **Refer to Figure 2.**
3. Remove the sensor from the stock exhaust.
4. In order to remove the exhaust, the shifter must first be temporarily moved. Remove the two bolts that hold the shifter in place to allow it to move outward. **Refer to Figure 3.**
5. Push the exhaust forward to free the inlet pipe, then slide the exhaust out from the rear, disengaging the hangers from the rubber isolators.



Figure 1



Figure 2

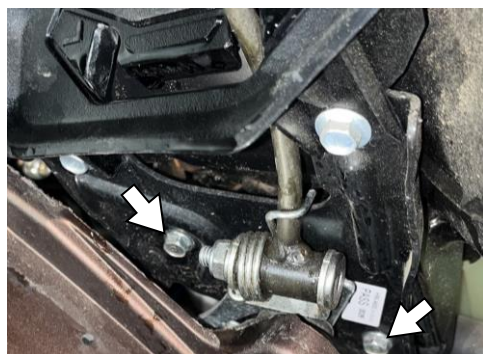


Figure 3



Figure 4

Installation of MBRP Exhaust:

1. Slide the **Muffler Assembly** into position, with the hangers going into the factory isolators from the rear of the vehicle.
2. Install the **Front Pipe** into the engine exhaust port with the flange fitting over the two studs, then slide the end of the **Front Pipe** into the **Muffler Assembly** inlet.
3. Install the **Extension Spring** to the tabs on the muffler and inlet pipe.
4. Apply the supplied **Foil Tape** to the gas tank shield in the area closest to the **Front Pipe**, adjacent to the stock heat tape. **Refer to Figure 4.**
5. Verify the alignment of the **Muffler** and **Front Pipe**, then reinstall the two (2) nuts and washers to secure the inlet flange
6. Replace the exhaust sensor and reattach the shifter.
7. Replace the side panels and seat.

Congratulations! You are ready to begin experiencing the improved performance, sound and driving experience of your **MBRP** performance exhaust system. We know you will enjoy your purchase.

MBRP

Spark Arrestor Maintenance

In order to maintain optimal performance, the spark arrestor screen should be cleaned after every 30-35 hours of use.



Figure 1



Figure 2



Figure 3



Figure 4

Clean-out Instructions:

Make sure the vehicle is cool before completing the clean-out procedure.

1. Using a 1/8" hex key, remove the 4 screws securing the outlet cap. **(Figure 1)**
2. Remove the outlet cap to expose the spark arrestor screen insert. **(Figure 2)**
3. Remove the screen insert. **(Figure 3)**
4. Using a wire brush, thoroughly brush the screen to remove residue. **(Figure 4)**
5. Replace the screen and cap.
6. Tighten the screws to 23 in-lbs (2.6 Nm).