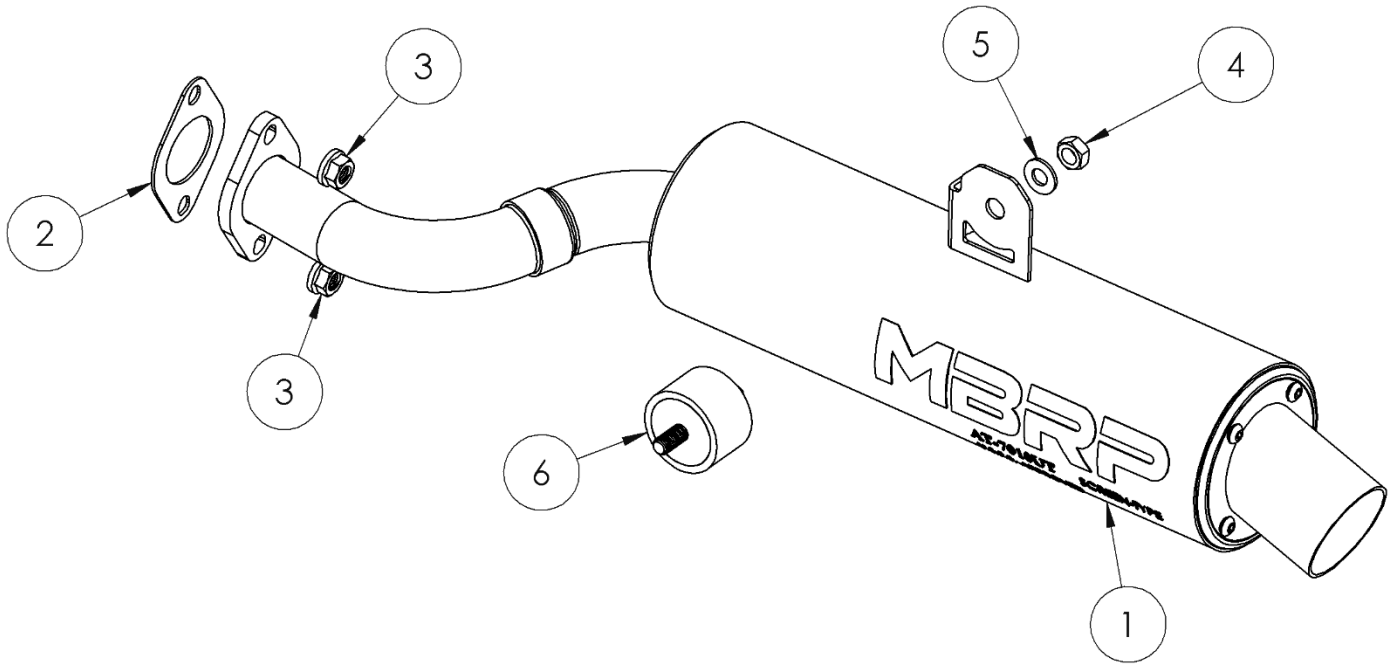


AT-7216

2023-UP CAN-AM RENEGADE 110/70
2016-UP POLARIS OUTLAW/SPORTSMAN 110/70
2010-2014 POLARIS OUTLAW/SPORTSMAN 90

MBRP®



ITEM	DESCRIPTION	QTY
1	MUFFLER	1
2	GASKET	1
3	M8 FLANGE NUT	2
4	M8 NYLOC NUT	1
5	M8 WASHER	1
6	RUBBER ISOLATOR	1

Refer to this LOT NUMBER when contacting customer service: _____

PLEASE READ BEFORE STARTING INSTALLATION

While MBRP has made every effort to ensure that all components of this system are of superior quality and properly packaged, it is the installer's responsibility to ensure the following before removal of the factory exhaust:

- that ALL components shown above are present.
- that ALL mating components fit together.
- that there are no damaged components.
- that the system you have purchased is appropriate for your vehicle year, model and configuration.
- that the system will not interfere with any modifications previously installed or planned.
- that you have read and understand these instructions.

If you have any questions or are uncertain about any aspect of the installation of this system to your vehicle please contact your dealer before commencing installation.

MBRP

Removal of Stock System



Figure 1



Figure 2



Figure 3



Figure 4



Figure 5

1. Apply penetrating lubricant liberally to all exhaust fasteners, hangers, and rubber insulators.
2. Remove the (3) bolts at the front of the bike. (For models not equipped with side panels skip to step 5)
Refer to Figure 1.
3. Remove the seat and remove the (2) bolts securing the side panel.
Refer to Figure 2.
4. Slide the plastic side panel up and forward to gain access to the flange.
Note: The panel does not need to be fully removed.
5. Unbolt the flange of the stock muffler. Remove the mounting bolts then remove the stock muffler from the bike. Retain all factory hardware for reinstallation.

Installation of **MBRP** Performance Exhaust

1. Using the factory M8 nut, install the **Rubber Isolator**.
Refer to Figure 3.
2. Install the **Muffler** loosely at the rear with the **M8 Washer** and **M8 Nyloc Nut**.
Refer to Figure 4.
3. Rotate the **Muffler** into position and connect to the front flange using the factory bolts, **M8 Flange Nuts** and **Gasket**.
Refer to Figure 5.

If a quieter tone is desired contact your local dealer to purchase T14373.



Congratulations! You are ready to begin experiencing the improved power, sound and driving experience of your **MBRP** Performance Exhaust.
We know you will enjoy your purchase!

MBRP

Spark Arrestor Maintenance

In order to maintain optimal performance, the spark arrestor screen should be cleaned after every 30-35 hours of use.

Clean-out Instructions:

Make sure the vehicle is cool before completing the clean-out procedure.

1. Using a 1/8" hex key, remove the 4 screws securing the outlet cap. (Figure 1).
2. Remove the outlet cap to expose the spark arrestor screen insert. (Figure 2)
3. Remove the screen insert. (Figure 3)
4. Using a wire brush, thoroughly brush the screen to remove residue. (Figure 4)
5. Replace the screen and cap.
6. Tighten the screws to 23 in-lbs (2.6 Nm).



Figure 1



Figure 2



Figure 3



Figure 4