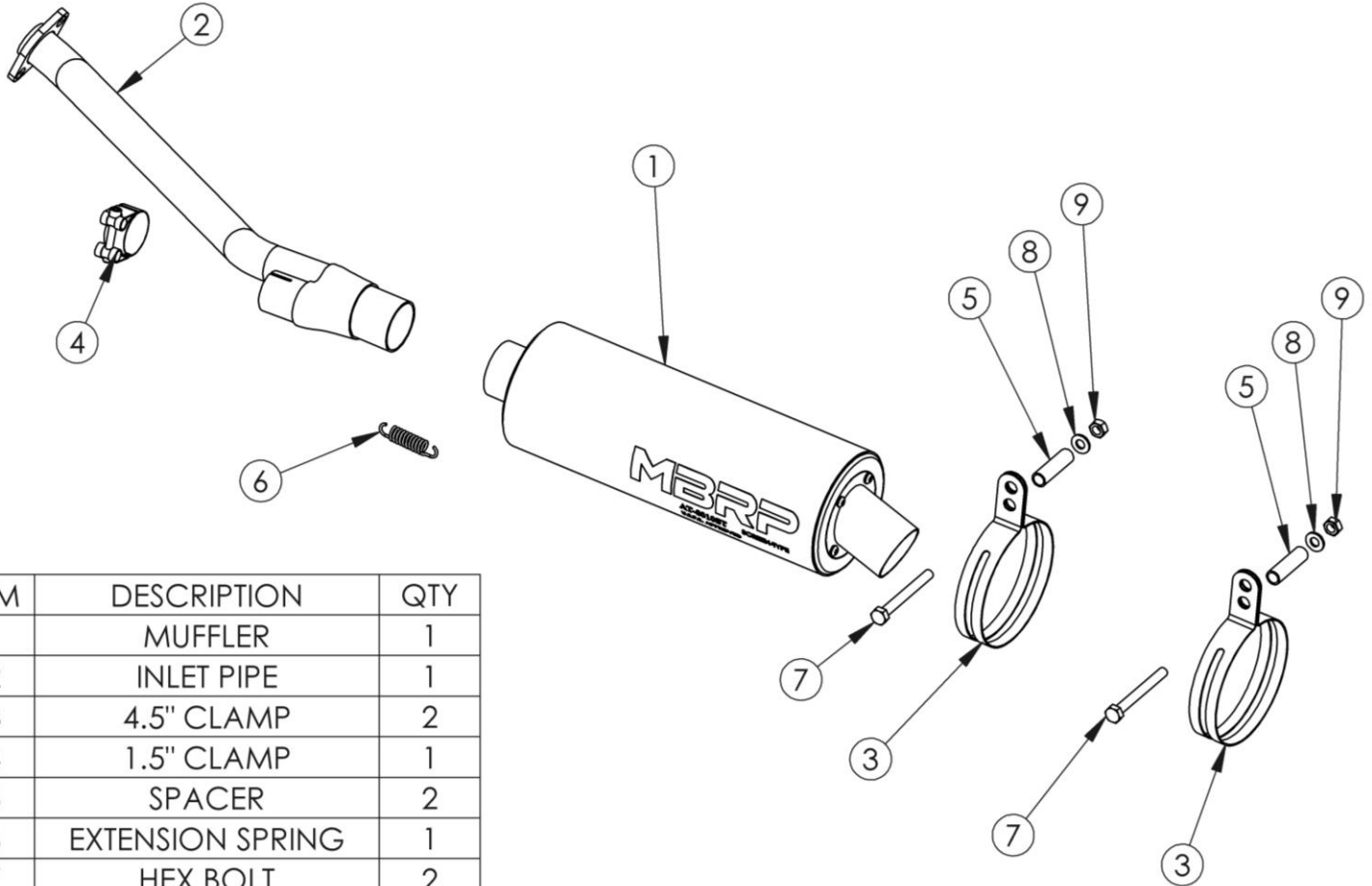


**AT-6600SP / AT-8600P**  
**PERFORMANCE MUFFLER SLIP-ON SYSTEM**  
 2005-2011 KAWASAKI KVF 750i BRUTE FORCE  
 2006-2013 KAWASAKI KVF 650i BRUTE FORCE

**MBRP**<sup>®</sup>



ITEM	DESCRIPTION	QTY
1	MUFFLER	1
2	INLET PIPE	1
3	4.5" CLAMP	2
4	1.5" CLAMP	1
5	SPACER	2
6	EXTENSION SPRING	1
7	HEX BOLT	2
8	M8 WASHER	2
9	HEX NUT	2

**PLEASE READ BEFORE STARTING INSTALLATION**

**While MBRP has made every effort to ensure that all components of this system are of superior quality and properly packaged, it is the installer's responsibility to ensure the following before removal of the factory exhaust:**

- that ALL components shown above are present.
- that ALL mating components fit together.
- that there are no damaged components.
- that the system you have purchased is appropriate for your vehicle year, model and configuration.
- that the system will not interfere with any modifications previously installed or planned.
- that you have read and understand these instructions.

If you have any questions or are uncertain about any aspect of the installation of this system to your vehicle please contact your dealer before commencing installation.

# MBRP®

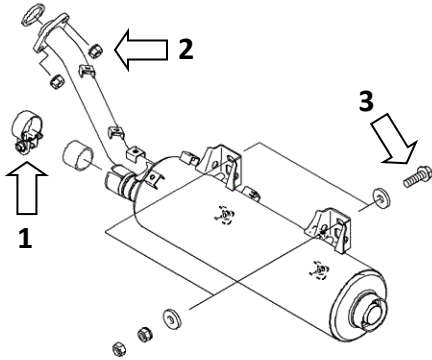


Figure 1

## Removal of Stock Exhaust:

1. Loosen the clamp holding the outboard exhaust pipe to the stock muffler. **Refer to Figure 1.**
2. Remove the 8mm nuts securing the flange on the front of the inboard exhaust pipe. **Do not discard the nuts. Refer to Figure 1.**
3. Remove the two 8mm fasteners securing the muffler support brackets to the bike frame, then remove the muffler and the attached inboard exhaust pipe. Retain the exhaust pipe gasket. **Refer to Figure 1.**



Figure 2

## Installation of MBRP Exhaust:

1. Slide the **inlet pipe** (and **T-bolt Clamp**) onto the stock outboard exhaust pipe and place the inlet pipe flange onto the exhaust port studs (reusing the stock gasket). Secure the pipe using the previously removed 8mm nuts. Do not fully tighten yet. **Refer to Figure 2.**



Figure 3

2. Attach the **Muffler Bands** to the vehicle frame using the **Hex Bolt, Spacer, M8 Washer, and Nut**. **Refer to Page 1.** Do not tighten the fasteners; leave the bands fully open.

3. Install the **Muffler** through the **Muffler Bands** and onto the end of the **Inlet Pipe**. **Refer to Figure 3.**

4. Align the spring tabs on the **Inlet Pipe**, and **Muffler** then attach them using the **Extension Spring**.

5. Make any necessary adjustments to the exhaust alignment, and then tighten the **T-Bolt Clamp**, and the mounting hardware. **Refer to Figure 4.**



Figure 4

**Congratulations!** You are ready to begin experiencing the improved performance and driving excitement of your **MBRP** ATV Exhaust upgrade. We know you will enjoy your purchase.



**Figure 1**



**Figure 2**



**Figure 3**



**Figure 4**

## Spark Arrester Maintenance

In order to maintain optimal performance, the spark arrester screen should be cleaned after every 30-35 hours of use.

### Clean-out Instructions:

Make sure the vehicle is cool before completing the clean-out procedure.

1. Using a 1/8" hex key, remove the 4 screws securing the outlet cap. **(Figure 1)**
2. Remove the outlet cap to expose the spark arrester screen insert. **(Figure 2)**
3. Remove the screen insert. **(Figure 3)**
4. Using a wire brush, thoroughly brush the screen to remove residue. **(Figure 4)**
5. Replace the screen and cap.
6. Tighten the screws to 23 in-lbs (2.6 Nm).